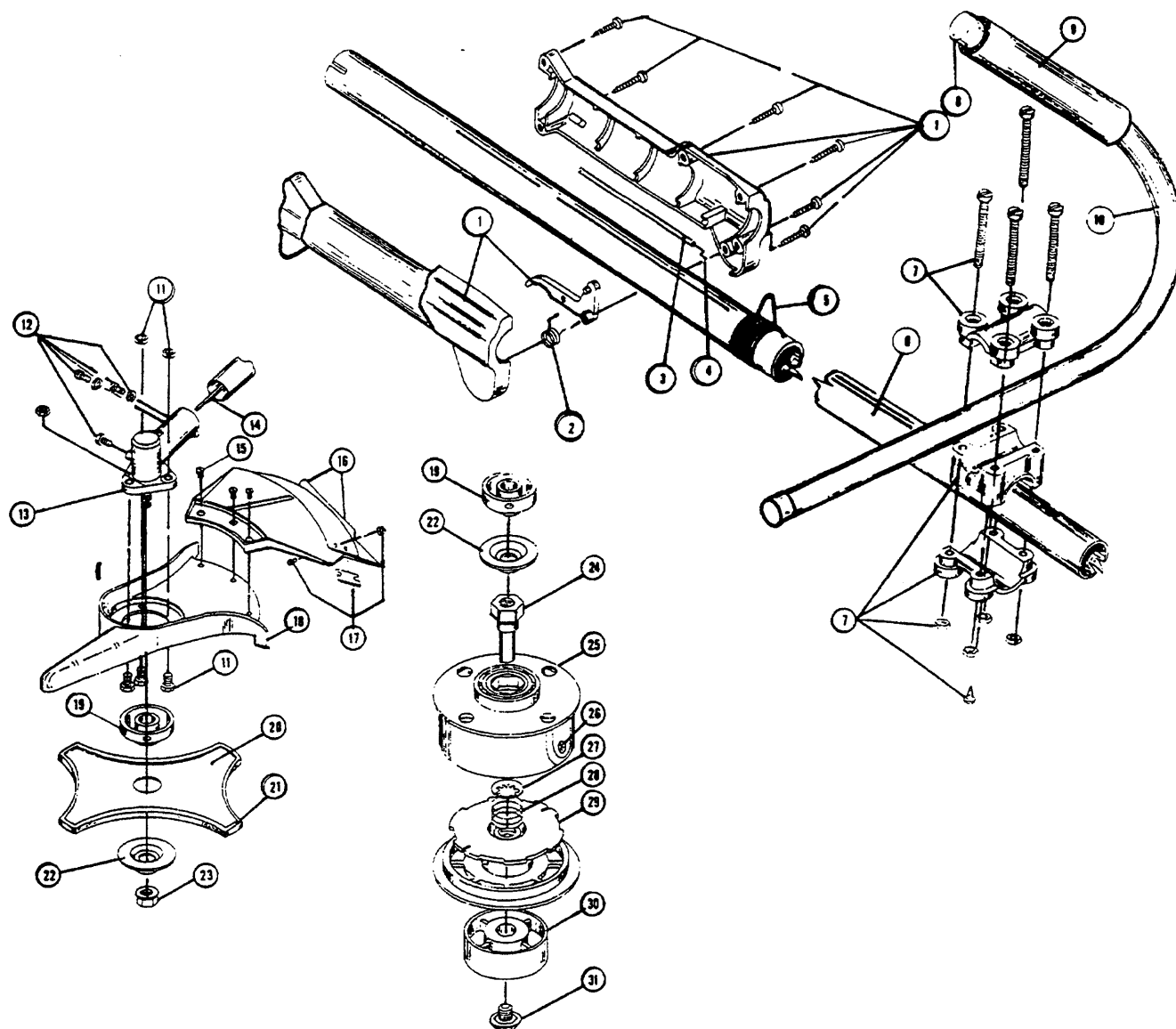




# BOOM & TRIMMER PARTS - RYOBI 780r



Item	Part No.	Description
1	180277	Throttle Housing and Trigger Assembly
2	610314	Throttle Trigger Spring
3	180021	Throttle Cable Housing
4	180127	Throttle Cable
5	610327	Shoulder Strap Clamp
6	147486	Drive Shaft Housing Assembly
7	683295	Handle Bracket Assembly
8	612021	Tube Closure
9	612831	Grip
10	683870	J-Handle Assembly (items 8 and 9)
11	147539	Guard Mount Screws
12	147677	Mounting Hardware and Grease Plug Assembly
13	147488	Gear Box Assembly (items 12, 19, 22, 23)
14	147542	Flexible Drive Shaft
15	683304	Guard Mounting Screws
16	683299	Guard and Blade Assembly (includes item 21)
17	682061	Blade Assembly
18	147492	Guard Mount
19	147489	Blade Driver
20	145873	Blade
21	147670	Blade Cover
22	147490	Blade Retaining Washer

Item	Part No.	Description
23	147491	Lock Nut
24	612483	Spool Shaft
25	147494	Outer Spool and Eyelet Assembly
26	145566	Eyelet
27	612026	Retainer (10 pack)
28	610636	Spring
29	147495	Inner Reel
30	147496	Bump Head Knob Assembly
31	147676	Bump Head Bolt
*	147299	Locking Rod Tool
*	682075	Shoulder Strap Assembly

### Optional Accessories

*	180120	Monofil Cutting Line, 50 ft. (.095 line)
*	147345	Spool and Line (40 ft.) Assembly
*	147498	Complete Head Assembly (items 24-31)
*	180014	Blade Retaining Kit (items 22 and 23)
*	147541	IDC or Ryobi 2-Cycle Oil (4 oz. can)

\* not shown